



BS EN ISO 9001:2000 Cert No. 7878
Shower and bathroom equipment

Orders & quotes

01905 823299

orders@akw-ltd.co.uk

General enquiries

01905 823298

sales@akw-ltd.co.uk

Technical enquiries

01905 560219

technicalenquiries@akw-ltd.co.uk

Kitchen enquiries

01905 823262

kitchens@akw-ltd.co.uk

Fax

01905 823297

AKW

Pointon Way
Hampton Lovett
Droitwich Spa
WR9 0LR

Website

www.akw-ltd.co.uk



Geberit *AquaClean 8000plus Care*

Well-being and independence

The WC that cleans you with water.



lifestyle solutions for inclusive living

Find us online in the following places:



UK mainland only.
Nationwide despatch options available. Layout and content ©2012 AKW Medi-Care Limited.
Artwork by Beard Creative Ltd. Printed in England. Issue 1, October 2012



lifestyle solutions for inclusive living



Grab rails and soft seat, optional extras

Customised comfort

*Beautifully designed and easy to use.
Ideal for every home and lifestyle.*

AKW is the market leader in accessible showering solutions in the UK. We have an excellent heritage of more than 25 years of providing bathroom products which enhance people's safety in the bathroom and create accessible and easy to maintain solutions. We are passionate about ensuring that people can live in stylish and aspirational surroundings and this is particularly relevant for modern bathrooms.

We have partnered with UK's leading specialist in sanitary technology, Geberit, to be able to offer our customers the best in independent toileting. The Geberit AquaClean 8000plus Care offers customised comfort which is beautifully designed and easy to use, making it ideal for every home and lifestyle.

Feel fresher all day, every day

Elegantly designed, the WC incorporates a simple to use shower, dryer and odour extraction. It provides you with an all-round cleaner, comfortable and more hygienic experience. In addition, the Geberit AquaClean 8000plus Care is easy to operate and virtually touch-free. The Geberit AquaClean 8000plus Care will leave you feeling clean, fresh and improve your sense of well-being.



Cleaning with water

The extending spray arm of the WC will wash you with a gentle, oscillating or pulsating jet of warm water. The water temperature along with other features can be adjusted providing a pleasant experience, even for the most sensitive skin. The lady spray setting also provides advanced cleaning for feminine hygiene.



Warm and dry

After washing, the Geberit AquaClean 8000plus Care gently and quietly dries you with a flow of warm air. Drying is completed in minutes - leaving you feeling clean, fresh and confident.



Odour extraction

Unpleasant odours will barely have time to circulate the room due to the efficient built in odour extraction that is activated as soon as you sit down.



Clean and hygienic

The spray nozzle is rinsed with fresh water before and after each use. This ensures spotless cleanliness at all times.

Everything perfectly tailored to your requirements

Every person has unique requirements, which is why the Geberit AquaClean can be adjusted, from the position of the spray arm to the water temperature and intensity, right through to the dryer setting. Geberit AquaClean is an ideal solution for everyone.



Total control

The wash and dry cycle can be easily activated by either the push button control panel located to the side or by using the remote control, providing maximum flexibility.



Personalised comfort

With the enhanced memory function on the remote control, you can select your own programme and store it, so that it can be used again and again. For added convenience, once saved the settings can be activated by the opto-remote or control panel. The remote also includes a button for flushing.



Touch-free operation

With the opto-remote, using the Geberit AquaClean 8000plus Care can be completely hands-free. A sensor detects movement and automatically starts the washing and drying sequence. All functions will only operate when you are seated. It will even flush the WC automatically before the wash cycle - easy, private and convenient.



Adjustable height

Geberit AquaClean has been designed with you in mind and is so flexible that even specific seat height requirements can be accommodated at installation, thanks to the in-built height adjustable stainless steel frame.

2+1 Warranty

Known worldwide for products of exceptional quality and design, Geberit offer a two year warranty as standard which extends when you register your product.



Once your new Geberit AquaClean 8000plus Care has been installed, you can register it online at www.i-love-water.co.uk or simply contact Geberit direct on Freephone 0800 032 9629. When you have registered, any spare parts used by a service engineer to resolve a manufacturing defect or fault, will be supplied free of charge for a total of three years. That's Geberit's 2+1 warranty – a great reflection on the high quality of Geberit products.

Year 1 & 2

Geberit covers replacement parts and labour*

Year 3

Geberit covers replacement parts (on registering your product)*

* 2+1 Warranty is subject to terms and conditions



Advice and Service

We are sure you will be delighted with Geberit AquaClean. If you require technical information or support the Geberit team of technical advisors will be pleased to assist you.



Dedicated team of technical experts

Should you have any technical queries regarding Geberit AquaClean simply contact the Geberit team on 0800 077 8365. They have a skilled team of technicians based across the UK so you can expect quality after sales support and be confident that your Geberit AquaClean will operate at its best for years to come.

Helping you to get the most out of your product

Once installed the Geberit AquaClean is very easy to use. However, if you would like to book a complimentary product training session, Geberit Product Specialists will only be too happy to help. Contact Geberit on freephone 0800 032 9629 to make an appointment.

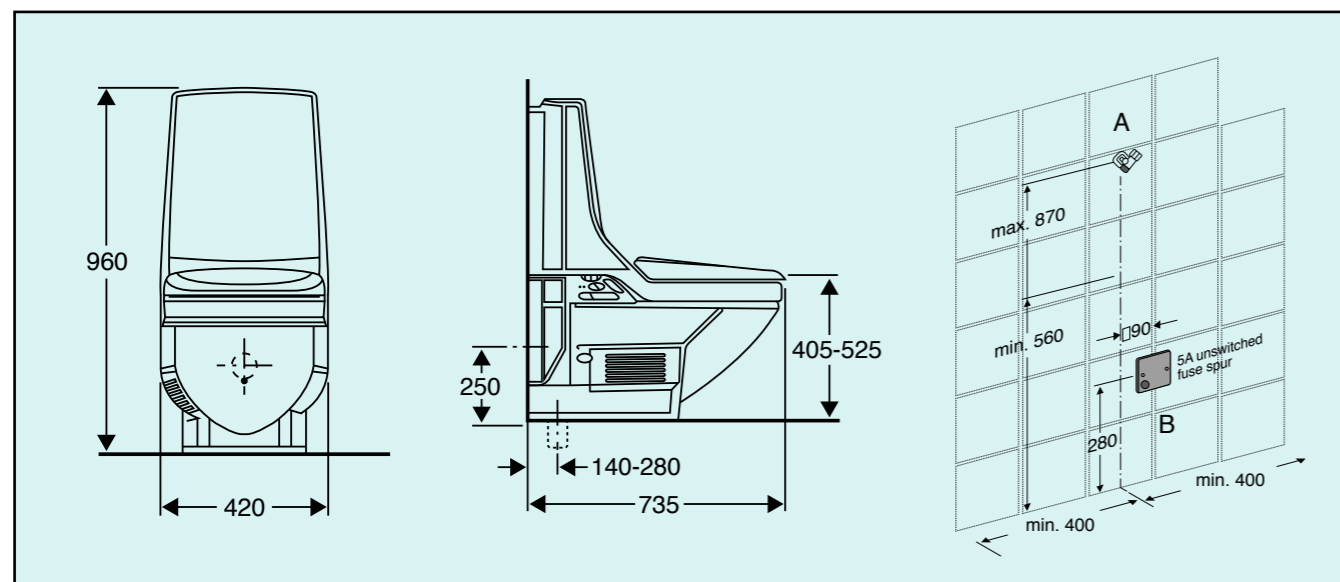
Consumables

To purchase a replacement nozzle cleaner, carbon filter or consumables including cleaning agent for your Geberit AquaClean contact the AKW Orderline on 01905 823299.

Technical information

Geberit Aquaclean 8000plus Care can be easily fitted, even in wet rooms.

Colour	White
Nominal voltage	230 V AC
Mains frequency	50-60 Hz
Power consumption	1000 W
Power consumption standby / with heating element switched on	1 / 9 W
Protection degree	IP X4
Length of mains connection cable	70 cm
Flow rate, anal spray	2.1 - 5.5 l/min
Flow rate, lady spray	1.4 - 3 l/min
Dryer temperature factory setting	45 °C
Dryer temperature range	20-45 °C
Water temperature factory setting	37 °C
Water temperature range	10-39 °C
Spray time factory setting	20 seconds
Number of shower pressure settings, shower spray	7
Flow pressure range (mains water)	1-10 bar
Storage water heater capacity	2.2 l
Flush volume factory setting	6 and 3 l
Maximum load of strengthened seat	150 kg
Operating temperature	10-40 °C
Geberit AquaClean must be connected to a mains water supply	



Features at a glance



Soft Seat, optional extra



Seat with lid, optional extra

Warm water shower	For gentle and thorough cleaning with fresh, warm water
Adjustable water temperature	Select a temperature that is right for you
Adjustable water pressure	To suit your personal requirements
Massage spray	Can be beneficial to encourage bowel movement
Oscillating spray	Forward and backwards motion of the spray arm
Lady Spray	Activates on request for gentle cleansing with fresh water
Warm-air dryer	Fully extendable with unlimited programme duration to suit you
Adjustable spray arm position	To suit your seating position
Odour extraction	To neutralise odours
Automatic flush	Convenient remote flushing
Adjustable seat height	A built-in plinth allows for seat height adjustments
Strengthened ergonomic seat	Ideal for side transfer and able to withstand high impact
Shower nozzle cleaning system	For a higher standard of hygiene
Opto-remote	Touch-free activation of wash, dry and flush
Side control panel	The push button controls activate wash, dry and odour extraction
Remote control with memory settings	For individual adjustments and personal settings for up to three users
2+1 Warranty	2 years (parts and labour) as standard. Third year (replacement parts only) applicable on registering of product

Frequently asked questions

What are the benefits?

A gentle spray of warm water cleans you, which is more thorough and comfortable for your skin than conventional cleaning with paper. You will feel clean, fresh and experience a unique sense of comfort.

How does it work?

Whilst you are sitting comfortably, you can activate a spray of warm water which washes you clean at a level of intensity that suits. The odour extraction will be activated as soon as you sit down and finally you will be dried off gently with a flow of warm air.

Is it easy to use?

Yes. Geberit AquaClean 8000plus Care has been designed with you in mind. It offers a variety of control options that allow you to choose whichever functions are most convenient. Even hands-free operation is included without compromising on individuality.

Is it suitable for people with health problems?

Yes, it is ideal for people who suffer from skin irritations in sensitive areas. This is because it cleans gently and thoroughly with fresh water. Many users find that their symptoms are considerably alleviated or even avoided.

How sustainable is it?

Geberit AquaClean makes the need for toilet paper obsolete. It only uses a small amount of well-directed water each time you activate the spray function. Paired with low energy consumption we have developed a feature packed toilet that is as sustainable as a conventional WC.

Can it be used in case of a power cut?

Yes it can. There is a mechanical flush button included so you can continue using the Geberit AquaClean as a standard toilet should you experience a power cut.

How long is a Geberit AquaClean 8000plus Care likely to last?

It can last up to 15 years, as with conventional toilets the lifespan of the WC will depend on how well it is maintained.

Geberit guarantees the availability of replacement parts for your product for 10 years post production.

Is a lid available?

Geberit AquaClean 8000plus Care features a special strengthened seat that is particularly sturdy and ideal for side transfer. It can be removed easily and replaced with the optional Geberit AquaClean seat with lid application.

Can it be cleaned like a conventional WC?

Geberit AquaClean features a unique dirt-repellant finish for easy care and the highest standard of hygiene. Regular cleaning with a soft damp cloth and the Geberit AquaClean cleaning agent, is recommended to keep the WC in good condition.

Who can install the product?

The product is innovative and easy to install. As a result, any qualified installer of your choice will be able to carry out the job.

Can it be connected to the mains water supply?

Geberit AquaClean is WRAS approved and complies with UK water regulations. It can be connected safely to the mains water supply.

Where can I purchase optional extras?

If you require an optional extra such as grab rails, soft seat or a seat with lid, these must be purchased separately. Contact AKW for more information.

Who is Geberit?

Geberit is European market leader in sanitary technology. Since its founding in 1874, the company has been a pioneer in the industry and continuously thrives on its Swiss precision and engineering. Geberit is recognised for producing state of the art products renowned for their endurance and cutting edge design.

Geberit products are innovative, durable and ecologically efficient. The main production sites are situated in Switzerland, Germany and Austria.

Who is AKW?

AKW is the market leader in accessible showering in the UK. We have a 25 year heritage of providing bathroom products which enhance safety in the bathroom and create accessible and easy to maintain solutions. We are passionate about quality of life, offering choice and helping people creating aspirational living spaces that they need and want.

