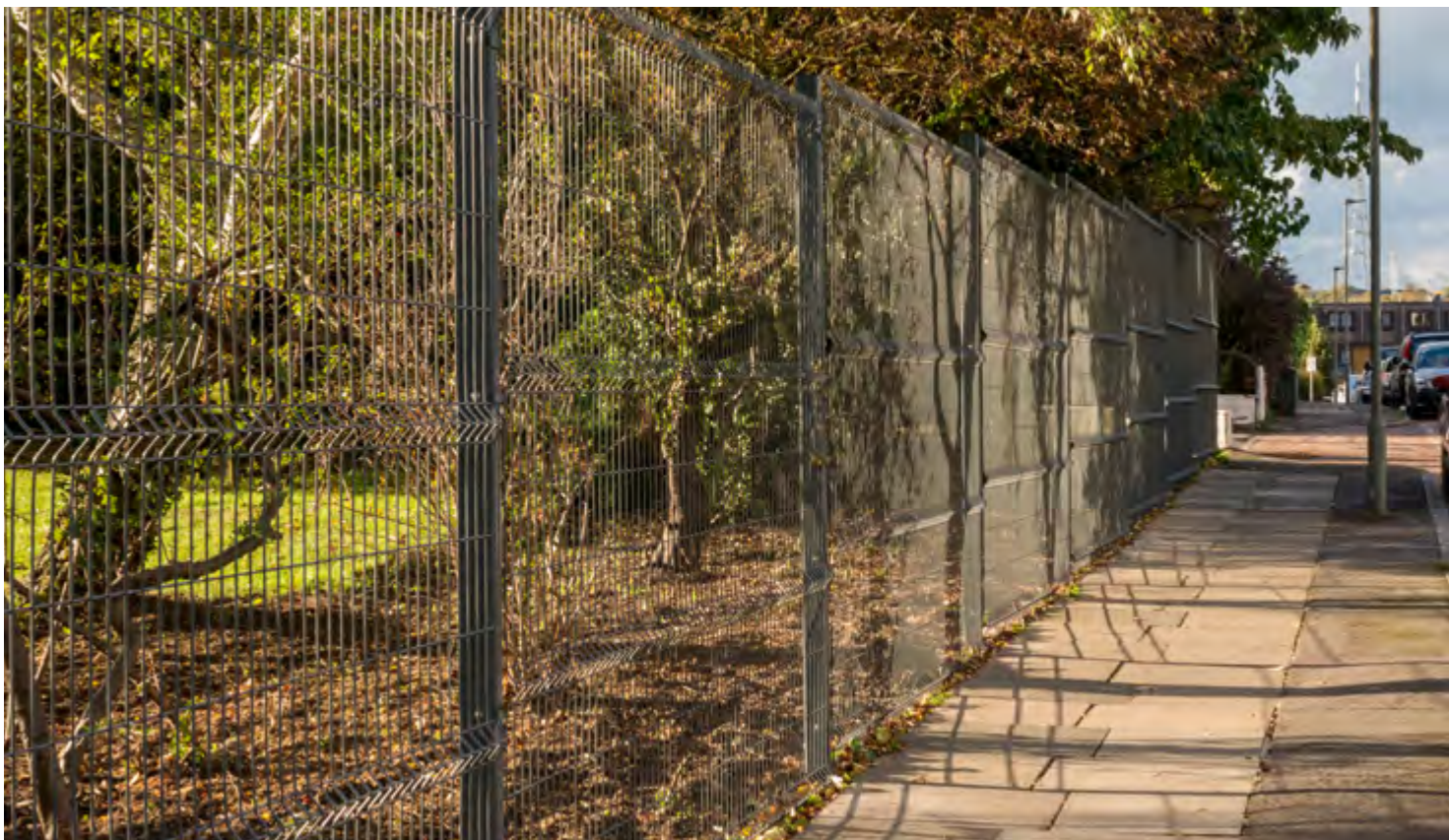

WELDED MESH PANELS

Our product portfolio has a variety of mesh systems constructed using steel wire zinc alloy coated for exceptional corrosion resistance and lifetime value.

Suitable for a wide variety of applications, welded mesh panels are a popular way to keep intruders out of a property or boundary, and their flexible design allows them to be deployed almost anywhere.

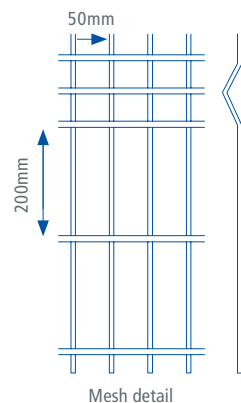
While some security fencing designs can be overcome with intruders who could climb over them, welded mesh panels are extremely difficult to get a purchase on due to the narrow, close-together wires, while the design is strong enough to withstand forceful attacks on the fence itself.

EUROGUARD® REGULAR



EuroGuard® Regular is ideal for residential areas, commercial properties, schools or car parks. The "V" shaped profile reinforcing folds increase the panels rigidity and strength. Panels can be stacked above one another to deliver a higher fence.

- Posts can be customised for Barbed wire / Razor wire / Rota Spike® / Alarm-aFence®
- Mesh 200 x 50mm centres with 45mm gap, 5mm wire (wire measured prior to coating)
- Unique vandal-proof panel to post fixing
- Anti-climb design
- 2 - 4 reinforcement folds according to height
- Can be stepped to accommodate sloping ground
- **25-year service life guarantee**



APPLICATIONS

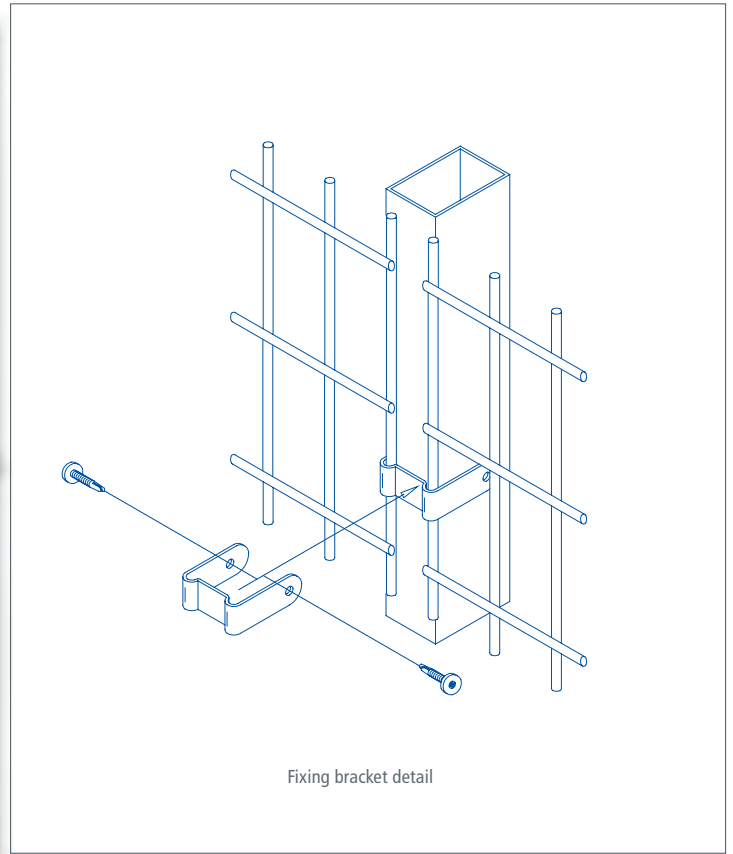
- ▶ Perimeters
- ▶ Schools
- ▶ Retail - Commercial premises

PANELS

Panels 3000m wide with 200 x 45mm mesh, 5mm wires with 2 - 4 reinforcing folds according to height, Galvan® Zinc alloy treated as standard. Vertical wires are at 50mm centres therefore panel has 61 vertical wires.

GATES

EuroGuard® Flatform Heavy single leaf and double leaf gates available



HEIGHT (mm)	POST CENTRES (mm)	POST DIMENSIONS (mm)	OVERALL POST LENGTH (mm)
1525	3034	60 x 40	2100
1810	3034	60 x 40	2500
2010	3034	60 x 40	2800
2410	3054	80 x 60	3300

POST OPTIONS

- Overlength set in concrete as standard
- Base plated to bolt down onto concrete
- Cranked to suit wall mounting

FINISHES

- Panels are Galfan® zinc alloy coated to BS EN 10244-2:2009 class A as standard
- Powder coated to BS EN 13438
- Marine coat for installations within 500m of salt water or an estuary

STANDARD COLOURS

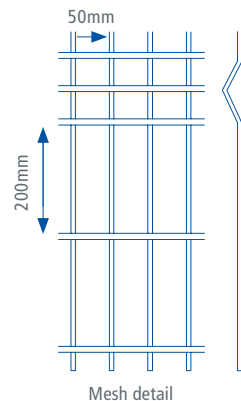
- Black RAL 9005
- Green RAL 6005
- Other colours are available on request

EUROGUARD® COMBI



EuroGuard® Combi brings our experience and reputation in steel and timber fencing and gates together in a design that combines the beauty of natural wood with the strength of steel. The robust fence panels and matching gates provide the additional advantages of a flat facing surface with no hand or foot holds as well as closely spaced slats for added privacy.

- Welded mesh panels with timber slats
- Mesh 200 x 50mm centres with 45mm gap, 5mm wire (wire measured prior to coating)
- Unique vandal-proof panel to post fixing
- Can be stepped to accommodate sloping ground
- Posts can be customised for Barbed wire / Razor wire / Rota Spike® / Alarm-aFence®
- Panels can be topped with Viper Spike® / Cobra Spike®
- **25 year service life and Jakcure® guarantee**



APPLICATIONS

- ▶ Schools
- ▶ Medium - High risk
- ▶ Storage

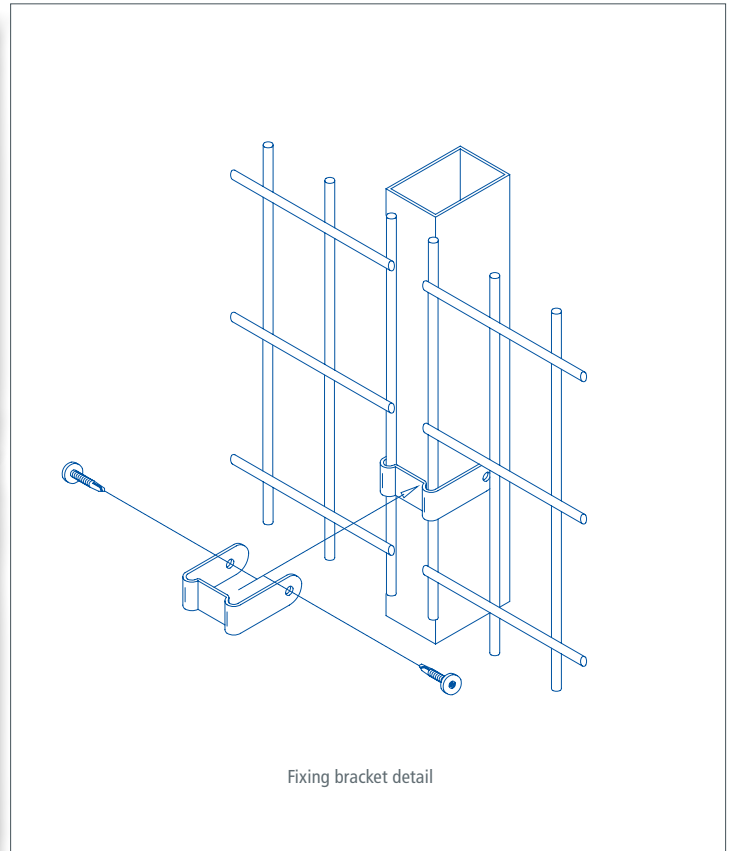
PANELS

Mesh with 'V' profile with 2 - 4 reinforcing folds (subject to height). Made using 5mm horizontal and vertical wires with 200 x 50mm mesh centres, welded at intersections.

Timber slats are treated using our Jakcure® treatment guaranteeing the timber for 25 years against rot or insect attack.

GATES

Matching single leaf and double leaf gates available



HEIGHT (mm)	POST CENTRES (mm)	TIMBER SLATS (mm)	POST DIMENSIONS (mm)	OVERALL POST LENGTH (mm)
1585	3054	40 x 17	60 x 60	2100
1870	3054	40 x 17	80 x 60	2500
2070	3054	40 x 17	80 x 60	2800
2470	3054	40 x 17	80 x 60 (with spur post)	3300
3170	3054	40 x 17	120 x 60 (with spur post)	3900

POST OPTIONS

- Overlength set in concrete as standard
- Base plated to bolt down onto concrete
- Cranked to suit wall mounting
- Spur post as standard

FINISHES

- Panels are Galfan® zinc alloy coated to BS EN 10244-2:2009 class A as standard
- Powder coated to BS EN 13438
- Timber slats are planed, Jakcure vacuum pressure treated as standard
- Marine coat for installations within 500m of salt water or an estuary

STANDARD COLOURS

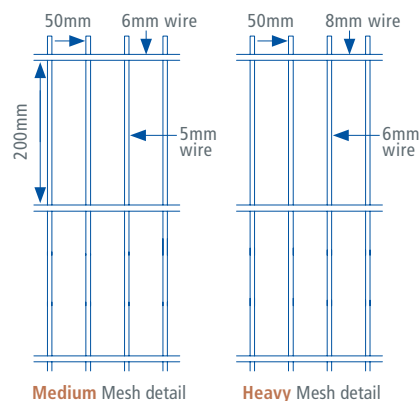
- Black RAL 9005
- Green RAL 6005
- Other colours are available on request

EUROGUARD® PLATFORM



EuroGuard® Platform has a flat profile with double horizontal wires. It is ideal for commercial sites (schools or play areas) or similar installations; anywhere durability and security is important. The panels can be stacked above one another to give a 6000mm high fence.

- Available in medium 200 x 50mm wire centres with 45mm gap
 - double 6mm wire, 5mm vertical wire
- Available in heavy 200 x 50mm wire centres with 45mm gap
 - double 8mm horizontal wire, 6mm vertical wire
- Can be stepped to accommodate sloping ground
- Posts can be adapted to mount CCTV cameras, lighting or physical security devices
- Posts can be customised for Barbed wire / Razor wire / Rota Spike® / Alarm-aFence®
- **25 year service life guarantee**



APPLICATIONS

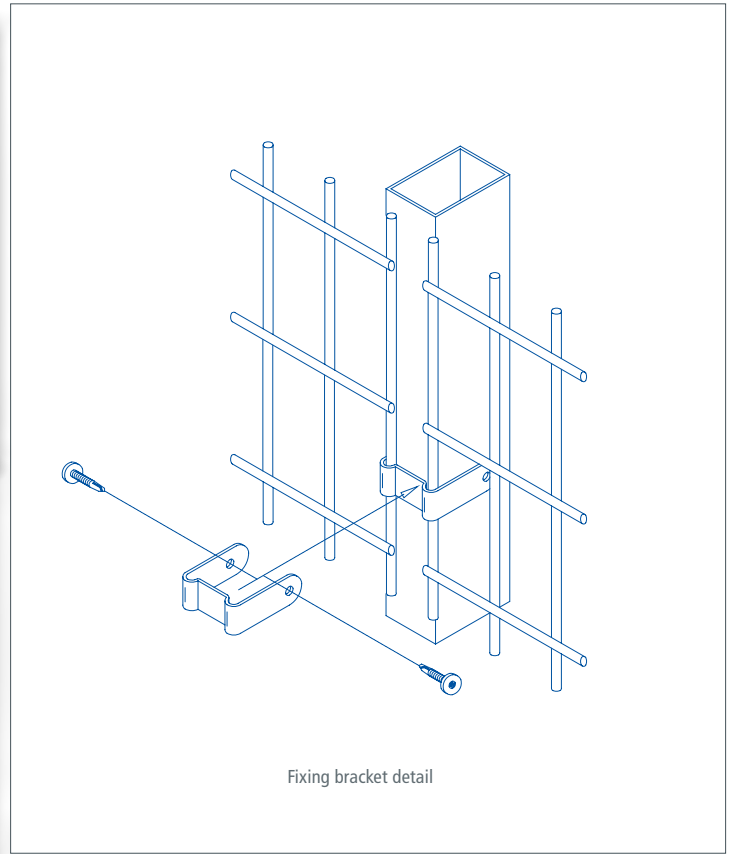
- ▶ Sports
- ▶ Industrial sites
- ▶ Schools

PANELS

Mesh panels have a flat profile with double horizontal wires, welded at intersections.

GATES

Matching single leaf and double leaf gates available



HEIGHT (mm)	POST CENTRES (mm)	MEDIUM	HEAVY	POST DIMENSIONS (mm)	OVERALL POST LENGTH (mm)
1030	3034	✓		60 x 40	1600
1230	3034	✓		60 x 40	1800
1830	3034	✓		60 x 40	2500
2030	3034	✓	✓	60 x 40	2800
2430	3054	✓	✓	80 x 60	3300

POST OPTIONS

- Overlength set in concrete as standard
- Base plated to bolt down onto concrete
- Cranked to suit wall mounting

FINISHES

- Panels are Galfan® zinc alloy coated to BS EN 10244-2:2009 class A as standard
- Powder coated to BS EN 13438
- Marine coat for installations within 500m of salt water or an estuary

STANDARD COLOURS

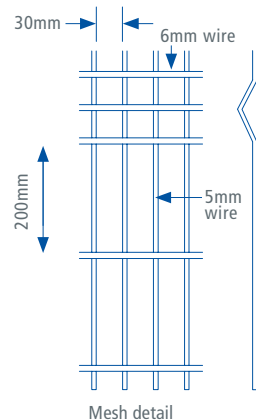
- Black RAL 9005
- Green RAL 6005
- Other colours are available on request

EUROGUARD® EXTRA



EuroGuard® Extra panels are unique to Jacksons and feature vertical and horizontal wires and smaller mesh apertures which are perfect for higher risk applications where security is a priority. EuroGuard® Extra has "V" profile reinforcing folds which increase the panels rigidity and strength.

- 200 x 30mm wire centres, 25mm gap with a 5mm wire
- Unique vandal-proof panel to post fixing
- Can be stepped to accommodate sloping ground
- Posts can be adapted to mount CCTV cameras, lighting or physical security devices
- Posts can be customised for Barbed wire / Razor wire / Rota Spike® / Alarm-aFence®
- 25 year service life guarantee



APPLICATIONS

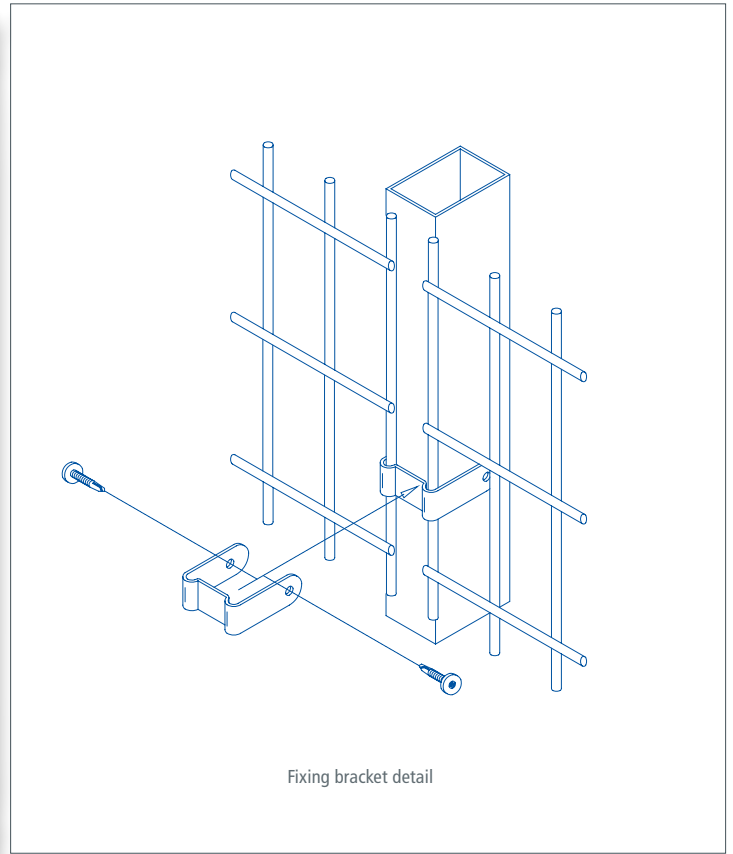
- ▶ Industrial sites
- ▶ Medium - High risk
- ▶ Commercial premises

PANELS

Mesh panels with 'V' profile with 2 - 4 reinforcing folds subject to height are made using 5mm horizontal and vertical wires with 200 x 30mm wire centres, welded at intersections.

GATES

Matching single leaf and double leaf gates available



HEIGHT (mm)	POST CENTRES (mm)	POST DIMENSIONS (mm)	OVERALL POST LENGTH (mm)
2010	3054	80 x 60	2800
2410	3054	80 x 60	3300

POST OPTIONS

- Overlength set in concrete as standard
- Base plated to bolt down onto concrete
- Cranked to suit wall mounting

FINISHES

- Panels are Galfan® zinc alloy coated to BS EN 10244-2:2009 class A as standard
- Powder coated to BS EN 13438
- Marine coat for installations within 500m of salt water or an estuary

STANDARD COLOURS

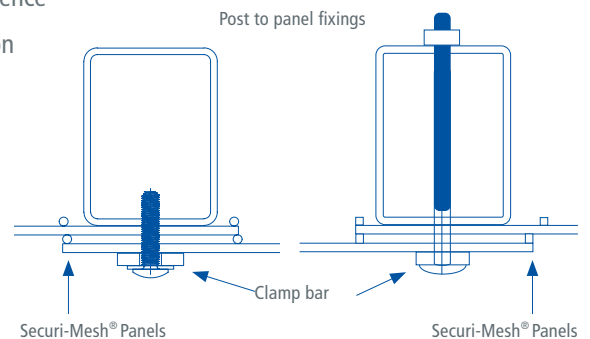
- Black RAL 9005
- Green RAL 6005
- Other colours are available on request

SECURI-MESH®



Securi-Mesh® fencing system provides an ideal solution for a wide variety of high security perimeter and access control applications. Both the mesh and posts are designed to meet Home Office specifications for use in utilities sites, high risk locations and secure compounds.

- Posts can be customised for Barbed wire / Razor wire / Rota Spike® / Alarm-aFence®
- Overlapped by a minimum of 75mm at posts to maintain integrity of protection
- Clamp bar fixings
- Mesh spacing conforms to building regulations for anti-trap
- Anti-climb design
- Can be stepped to accommodate sloping ground
- Custom designs available
- **25-year service life guarantee**



APPLICATIONS

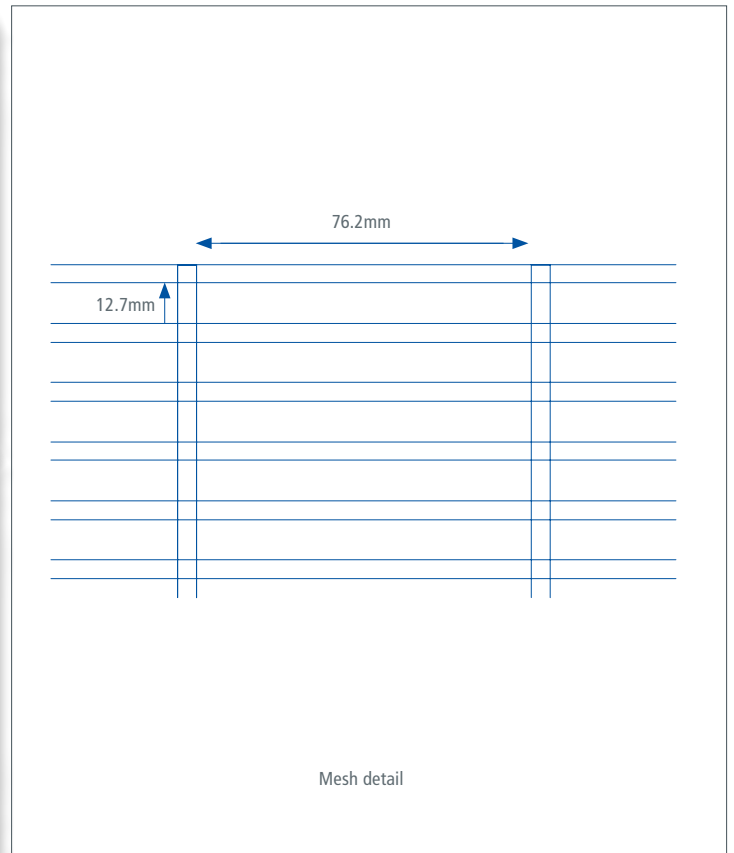
- ▶ Utilities
- ▶ High risk
- ▶ Secure compounds

PANELS

Securi-Mesh® panels are constructed from 76.2 x 12.7mm mesh (3" x 1/2") with 4mm wire. Panel widths are 2515mm as standard, with height up to 5200mm.

GATES

Matching single leaf and double leaf gates available



HEIGHT (mm)	POST CENTRES (mm)	POST DIMENSIONS (mm)	OVERALL POST LENGTH (mm)
1270	2440	80 x 60	1900
2134	2440	80 x 60	2900
2440	2440	80 x 60	3300
3000	2440	80 x 60	3800
4200	2440	120 x 120	5100
5210	2440	150 x 150	6200

POST OPTIONS

- Overlength set in concrete as standard
- Base plated to bolt down onto concrete
- Cranked to suit wall mounting

FINISHES

- Panels are Galfan® zinc alloy coated to BS EN 10244-2:2009 class A as standard
- Powder coated to BS EN 13438
- Marine coat for installations within 500m of salt water or an estuary

STANDARD COLOURS

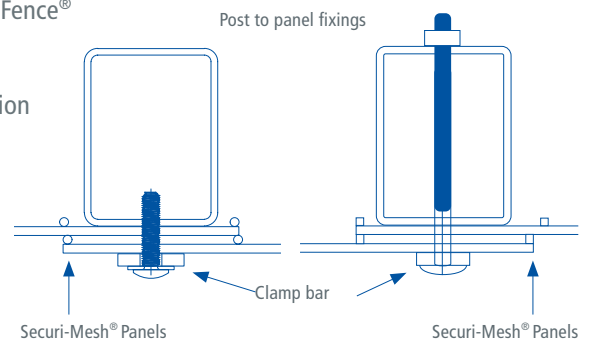
- Black RAL 9005
- Green RAL 6005
- Other colours are available on request

SECURI-MESH® PLUS



Securi-Mesh® Plus features anti climb double layer mesh panels with small apertures to eliminate foot and finger holds; preventing objects being passed through. The system is particularly effective against the use of conventional hand and portable power cutting tools.

- Posts can be customised for Barbed wire / Razor wire / Rota Spike® / Alarm-aFence®
- Staggered double skin mesh panels with wire welded at every intersection
- Overlapped by a minimum of 75mm at posts to maintain integrity of protection
- Mesh spacing conforms to Building Regulations for anti-trap
- Anti-climb design
- Can be stepped to accommodate sloping ground
- **25 year service life guarantee**



APPLICATIONS

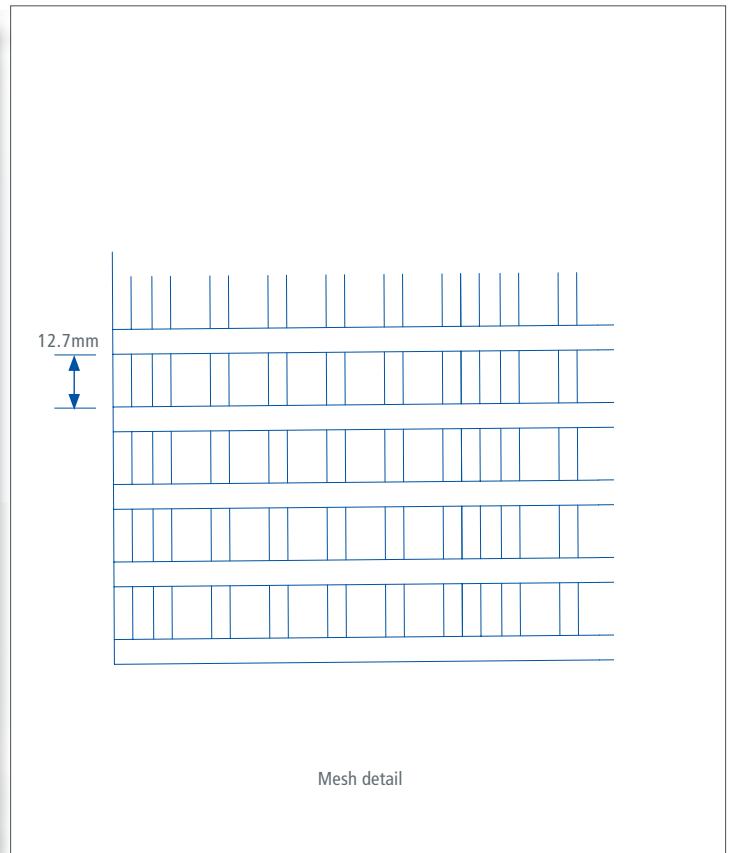
- ▶ Utilities
- ▶ High risk
- ▶ Secure compounds

PANELS

Staggered double skin of 76.2mm x 12.7mm resistance mesh up to 2400mm only. Second panel is an internal skin only, single skin then from 2400mm upwards.

GATES

Matching single leaf and double leaf gates available



HEIGHT (mm)	POST CENTRES (mm)	POST DIMENSIONS (mm)	MESH	
1270 - 5200	2440	Dimensions to suit fence height and location	Staggered double skin of 76.2 x 12.7mm resistance mesh welded at each intersection	Double clad only up to 2515mm high, single clad above 2515mm

POST OPTIONS

- Overlength set in concrete as standard
- Base plated to bolt down onto concrete
- Cranked to suit wall mounting

FINISHES

- Panels are Galfan® zinc alloy coated to BS EN 10244-2:2009 class A as standard
- Powder coated to BS EN 13438
- Marine coat for installations within 500m of salt water or an estuary

STANDARD COLOURS

- Black RAL 9005
- Green RAL 6005
- Other colours are available on request

SECURITY COMPOUNDS



We have developed a range of security compounds designed for use in internal or external environments to provide both protection and managed access control. A number of security compound sizes and specifications are available and we are able to also design and manufacture bespoke solutions made to order.

- Gates include slide latch as standard
- Gate options include key lock, digi-pad, magnetic lock or push pad
- **25 year service life guarantee**

APPLICATIONS

- ▶ High risk
- ▶ Data centres
- ▶ Gas bottle storage
- ▶ Bike storage

POST OPTIONS

- Overlength set in concrete as standard
- Base plated to bolt down onto concrete



MESH STYLE	MESH SIZE (mm)	FEATURES
EuroGuard® Regular	200 x 50	2 - 4 reinforcing folds according to height
EuroGuard® Flatform (medium)	200 x 50	Double 6mm horizontal, 5mm vertical
EuroGuard® Flatform (heavy)	200 x 50	Double 8mm horizontal, 6mm vertical
EuroGuard® Extra	200 x 30	2 - 4 pressed beams according to height
EuroGuard® Combi	200 x 50	Timber slats inserted between the wires
Securi-Mesh®	75 x 12.5	Anti-climb design

FINISHES

- Panels are Galfan® zinc alloy coated to BS EN 10244-2:2009 class A as standard
- Powder coated to BS EN 13438
- Marine coat for installations within 500m of salt water or an estuary

STANDARD COLOURS

- Black RAL 9005
- Green RAL 6005
- Other colours are available on request