

Schlüter®-VINPRO-STEP

Finishing profile for resilient coverings
on stair steps

18.4

Product data sheet

Application and function

Schlüter-VINPRO-STEP is a special stair nosing profile made of anodised aluminium for the safe and visually appealing design of stair steps with resilient coverings (e.g. LVT flooring). The profile provides reliable edge protection for resilient coverings and significantly enhances user safety by making stair steps clearly visible. In addition, VINPRO-STEP features a special slip resistant tread.

Material

Schlüter-VINPRO-STEP is available in the following materials:

ACGB = Brushed chrome anodised aluminium

ATGB = Brushed titanium anodised aluminium (colour may differ from other Schlüter profiles in ATGB finish)

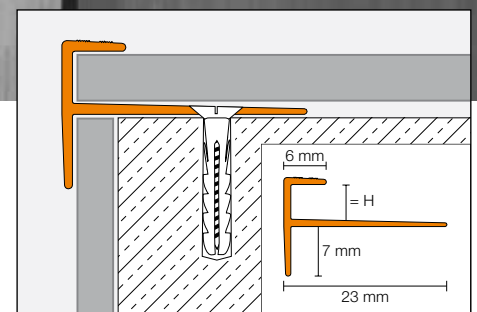
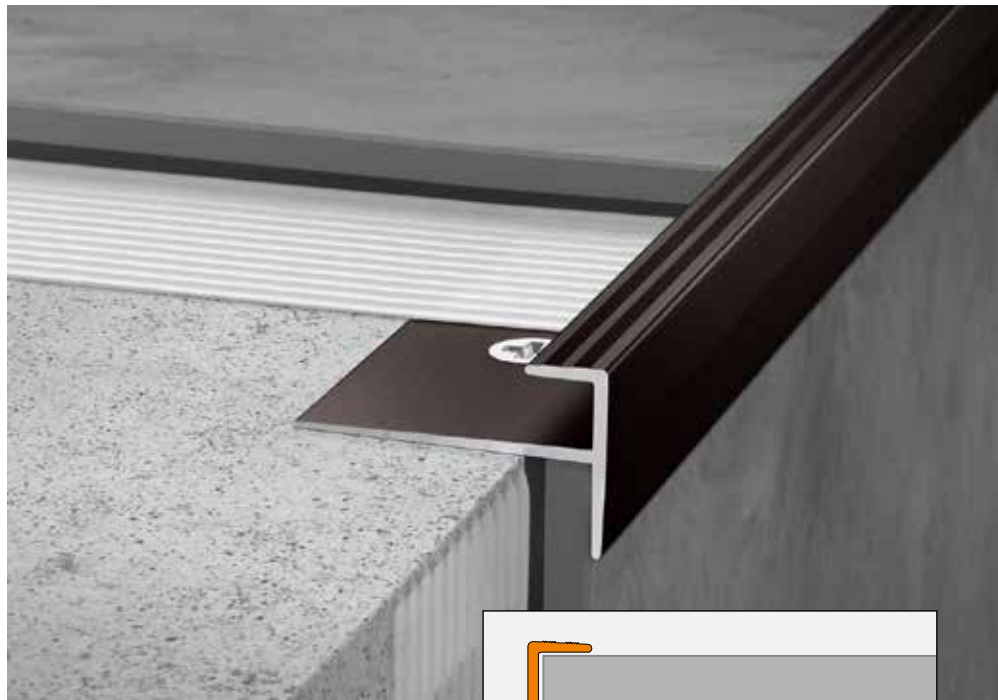
ABGB = Brushed antique bronze anodised aluminium

Material properties and areas of application:

In applications exposed to chemical or mechanical stresses, the profile's suitability must be verified.

The information provided below is intended as a general guideline.

Anodised aluminium: The aluminium features an anodised finish that may be damaged by aggressive substances or abrasive stresses. Damage to the anodised surface can be restored with paint.





Installation

Attachment with screws:

1. Select Schlüter-VINPRO-STEP according to the thickness of the covering.
2. Transfer the positions of the drilling holes to the substrate at the edges of the covering and drill holes with a diameter of 5 mm for the anchors.
3. Attach the profile to the floor with counter-sunk screws, Ø 3.5 mm.
4. Follow the manufacturer's specifications for installing the covering.

Attachment with construction adhesive:

1. Select Schlüter-VINPRO-STEP according to the thickness of the covering.
2. Adhere the profile with the installation adhesive Schlüter-KERDI-FIX or an equivalent material at the edges of the covering. This installation method is especially suitable for areas where the profile cannot be screwed into the floor.
3. Follow the manufacturer's specifications for installing the covering.

Note: The substrate must be load-bearing and free from debris.

Note

Schlüter-VINPRO-STEP requires no special maintenance or care. Do not use abrasive cleaning agents on the sensitive surfaces. Damage to the anodised surface can be restored with paint. All cleaning agents must be free of hydrochloric and hydrofluoric acid.

Product overview:

Schlüter®-VINPRO-STEP

ACGB = brushed chrome anodised aluminium / ATGB = brushed titanium anodised aluminium / ABGB = brushed antique bronze anodised aluminium
Length supplied: 2.50 m

| H = mm | 3 | 4 | 5 | 6 |
|--------|---|---|---|---|
| ACGB | • | • | • | • |
| ATGB | • | • | • | • |
| ABGB | • | • | • | • |

Text template for tenders:

_____ linear metres of Schlüter-VINPRO-STEP as a special stair nosing profile made of anodised aluminium for the safe and visually appealing design of stair steps with resilient coverings (e.g. LVT flooring), to be supplied and professionally installed according to manufacturer's specifications.

Material:

- ACGB = Brushed chrome anodised aluminium
- ATGB = Brushed titanium anodised aluminium
- ABGB = Brushed antique bronze anodised aluminium

Height of profile channel H = _____ mm

Art.-No.: _____

Material: _____/m

Labour: _____/m

Total: _____/m